

## CAST IRON BALL VALVE

### SPECIFICATION

FULL BORE • PTFE SEAT  
CONFORMS TO DIN 3202 F4 / F5 SERIES  
FLANGED TO DIN 2533 PN16

### PRESSURE / TEMPERATURE RATINGS

Working Pressure	16 bar
Testing Pressure	Shell : 24 bar Seat : 17.6 bar
Working Temperature	-20°C to 150°C
Suitable Media	Water, Oil & Steam

### MATERIALS

Part	Material	DIN
Body	Cast Iron	GG25
Bonnet	Cast Iron	GG25
Ball	Stainless Steel 304	X5CrNi189
Seat	PTFE	
Shaft	Stainless Steel 420	X20Cr13
Handle	Cast Iron (DN50~80) Steel (DN100~200)	GG25

### DIMENSIONS

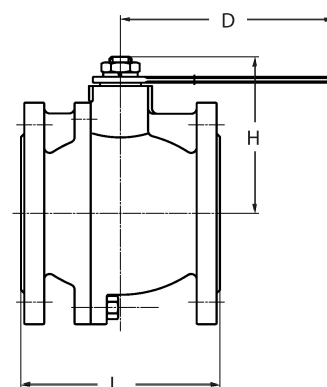
Size mm	L mm	H mm	D mm
50	150	123	165
65	170	145	185
80	180	149	200
100	190	190	220
125	325	211	250
150	350	243	285
200	400	275	340

Note:

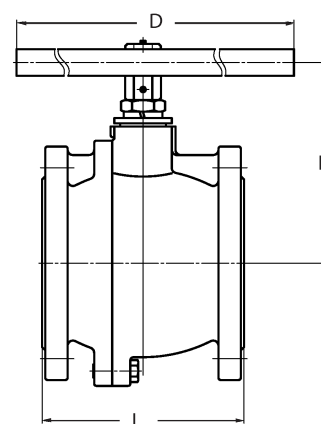
1. Face to face dimensions conforms to DIN 3202 F4 / F5 series.
2. Other flange standards available upon request.
3. Design and specifications are subject to change without prior notice.

**CBV-D**

**PN16**  
DN50~200



(DN50~80)



(DN100~200)