

FIXED ORIFICE MEASURING DEVICE

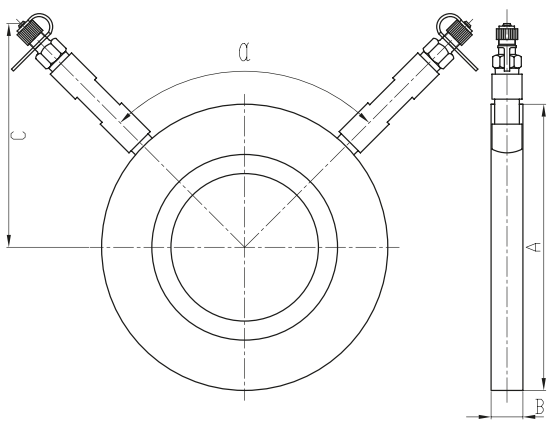
MS-B-101
MS-B25-101



TOZEN's MS-B(25)-101 Fixed Orifice Measuring Device are designed according to BS1042 with an accuracy of +/-5%. It is made of stainless steel wafer body and brass pressure test points. MS-B(25)-101 can be installed between valves and/or pipe flanged to BS4504 PN16 / PN25.

TECHNICAL SPECIFICATION

Model	: MS-B-101 MS-B25-101
Material	: Stainless Steel 304 Stainless Steel 316
Pressure Rating	: 16bar (MS-B-101) 25bar (MS-B25-101)
Connection	: PN16 (MS-B-101) PN25 (MS-B25-101)
Working Temperature	: -10°C ~ 120°C



Size	A		B	C	a°	kvs
	PN16	PN25				
mm	mm	mm	mm	mm	°	
350	444	457	21	222	90	1875
400	495	514	21	240	90	2582
450	555	564	21	261	90	3270
500	617	624	21	283	90	4079
600	734	731	25	325	90	4938