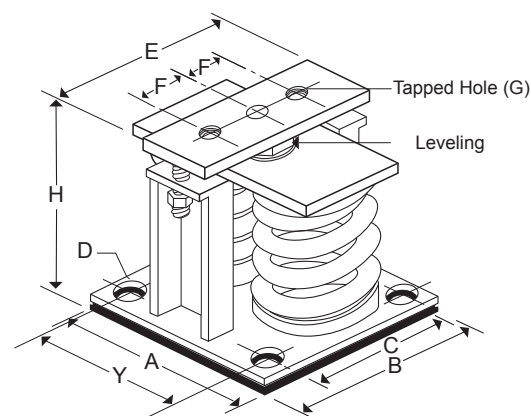


PTM-DS • RESTRAINED SPRING ISOLATOR

TOZEN PTM-DS series vibration isolators consist of free standing laterally stable steel springs assembled into welded steel housing assemblies fabricated to limit vertical movement of the isolated equipments when equipment loads are reduced or if the equipments are subjected to large external forces. Spring elements are completed with an internal adjusting and levelling bolt. Tapped holes are provided at the top load plate for bolting to equipment. A 10mm thick non-skid noise absorbing rubber pad is bonded at the bottom plate with holes for bolting to the structure.



Model: PTM-DS

APPLICATION

Model PTM-DS mounts are typically used to reduce the transmission of noise and vibration into supporting structures from equipments carrying a large fluid load that may be drained, such as boilers and for cooling towers, which also require hold down for wind loads.

PTM-DS 25mm DEFLECTION RESTRAINED SPRING ISOLATOR

(mm)

Model	Rated Capacity		Spring Constant (Kg/mm)	Spring Colour Code	Operating Height (H)	(A)	(B)	(C)	(D)	(E)	(F)	(G)	(Y)									
	(Kgs)	(Lbs)																				
PTM-DS-151M	150	330	6	Orange	160	100	184	154	16	184	40	M12	-									
PTM-DS-201M	200	440	8	Purple																		
PTM-DS-301M	300	660	12	Red																		
PTM-DS-451M	450	990	18	Green																		
PTM-DS-601M	600	1320	24	Silver																		
PTM-DS-826M	825	1815	33	Brown																		
PTM-DS-976M	975	2145	39	Brown+White																		
PTM-DS-1101M	1100	2420	44	Blue																		
PTM-DS-1251M	1250	2750	50	Blue+White																		
PTM-DS-1401M	1400	3080	56	Blue+Brown																		
PTM-DS-602M	600	1320	24	Red	205	200	195	155	18	195	40	M16	160									
PTM-DS-902M	900	1980	36	Green																		
PTM-DS-1202M	1200	2640	48	Silver																		
PTM-DS-1652M	1650	3630	66	Brown																		
PTM-DS-1952M	1950	4290	78	Brown+White																		
PTM-DS-2202M	2200	4840	88	Blue																		
PTM-DS-2502M	2500	5500	100	Blue+White																		
PTM-DS-2802M	2800	6160	112	Blue+Brown																		
PTM-DS-3304M	3300	7260	132	Brown										205	170	280	240	20	280	45	M16	95
PTM-DS-3904M	3900	8580	156	Brown+White																		
PTM-DS-4404M	4400	9680	176	Blue																		
PTM-DS-5004M	5000	11000	200	Blue+White																		
PTM-DS-5604M	5600	12320	224	Blue+Brown																		
PTM-DS-6606MA	6600	14520	264	Blue	205	170	420	380	20	420	55	M16	95									
PTM-DS-7506MA	7500	16500	300	Blue+White																		
PTM-DS-8406MA	8400	18480	336	Blue+Brown																		
PTM-DS-8808M	8800	19360	352	Blue	205	170	450	410	20	450	55	M16	95									
PTM-DS-10008M	10000	22000	400	Blue+White																		
PTM-DS-11208M	11200	24640	448	Blue+Brown																		