

Positive displacement gear pumps, GL series



Features:

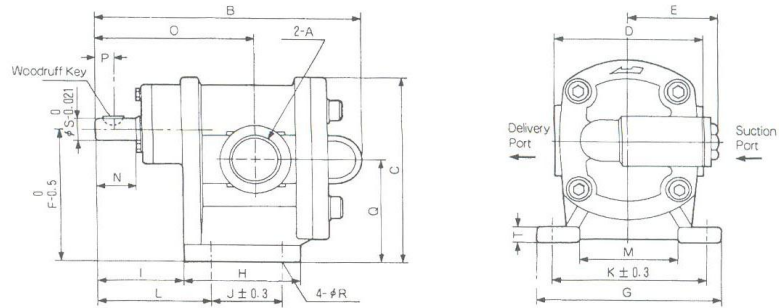
* Since the pump is of high-quality, finished at the same accuracy as hydraulic pump, it can be applied to a wide range of activities from low-viscosity oil such as kerosene, light oil, etc to medium/high-viscosity oil.

* Since the pump is build with by pass valve, and is equipped with relief function, it can be used safely.

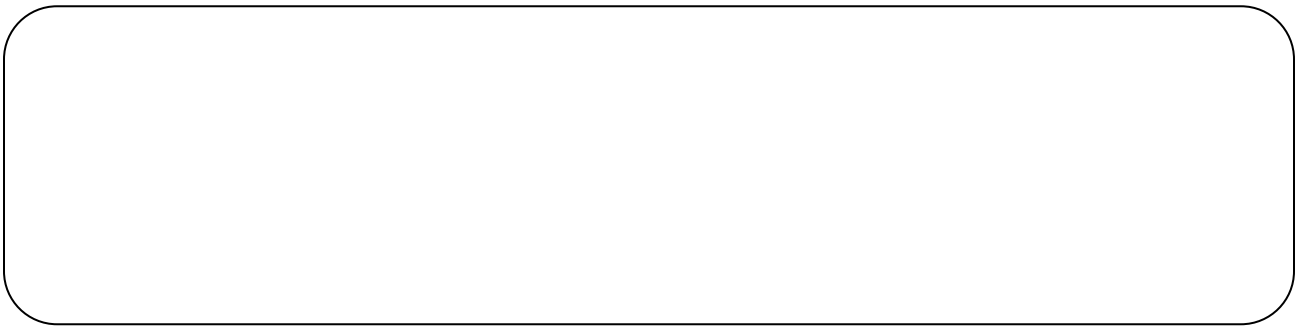
General performance data

Model	Port size, mm	Power, kw	Revolutions, rpm	Flow, L/min	Pressure, bar	Shaft size, mm	Weight, kgs
GL135L4G0.55	13	0.4	1450	18	5	18	8
GL1310L4G1	13	0.75		18	10		
GL205L4G1	20	0.75		31	5		8.5
GL2010L4G2	20	2		31	10		
GL255L4G2	25	2		48	5	9	
GL2520L4G3	25	3		48	10		
GL325L4G3	32	3		960	73	5	22
GL3210L4G5	32	5	73		10		
GL405L4G3	40	3	95		5	21	
GL4010L4G7.5	40	7.5	95		10		
GL505L4G5	50	5	150		5	23	

Installations dimensions, mm



Model	A	B	C	D	E	F	G	H	I	J	K	L	M	N	O	P	Q	R	S	T																
GL135L4GX	1/2"	189	131	108	65	95	138	73	71	40	116	87	68	31	113	15	75	11	18	12																
GL1310L4GX															116																					
GL205L4GX	3/4"	196													122																					
GL2010L4GX															129																					
GL255L4GX	1"	208													189						148	90	136	184	112	86	70	156	111	100	40	157	19	106	22	16
GL2520L4Gx																																200				
GL325L4GX	1	222																														189				
GL3210L4GX			200																																	
GL405L4GX	1	265	189	148	90	136	184	112	86	70	156	111	100	40		157	19	106	22	16																
GL4010L4GX															200																					
GL505L4GX	2"	290	189	148	90	136	184	112	86	70	156	111	100	40	157	19	106	22	16																	



Please refer local agent for more details and individual pump performance curve and installations layout.
www.upompe.com