



Primeflo T & U Series Self Priming Pump

Primeflo T&U series - Self priming Centrifugal Pumps

Design:

Upon starting the pump, pressure drop occurs at the eye of the impeller which will give rise to pressure differences within the pump system (pump casing & suction pipe) and outside the pump system. As the pressure continues to drop in the pump system, a mixture of liquid and air will start to flow into the pump due to higher atmospheric pressure outside the pump system.

The mixture of liquid and air will flow through the casing chamber designed like a diffuser through the inlet

and then to the discharge port. At the discharge port, air being lighter will be extricated through the discharge piping. The liquid being heavier will fall back into the pump chamber and re-mix with the inlet liquid. This process is repeated till air in the suction pipe and pump casing is fully emptied and filled with liquid. At this point, the pump will then be fully primed and achieve the self-priming effect.

Pumped Liquid:

Different Clean and dirty liquids of neutral or Alkali at viscosity up to 50mm²/s (cSt).

Shaft Seal:

Mechanical Seal---Sic-Sic/Vinton.

Flange Attached:

Screw Flange for size ≤ 4 "

NonStandard Flange for size > 4 "

Technical Data:

Flow: 4-480m³/h

Head:4-400m

Speed: 1450rpm/2900rpm(50Hz)
1750rpm/3500rpm(60Hz)

Temperature: -10°C ---80°C

Operating Pressure: 6Bar.

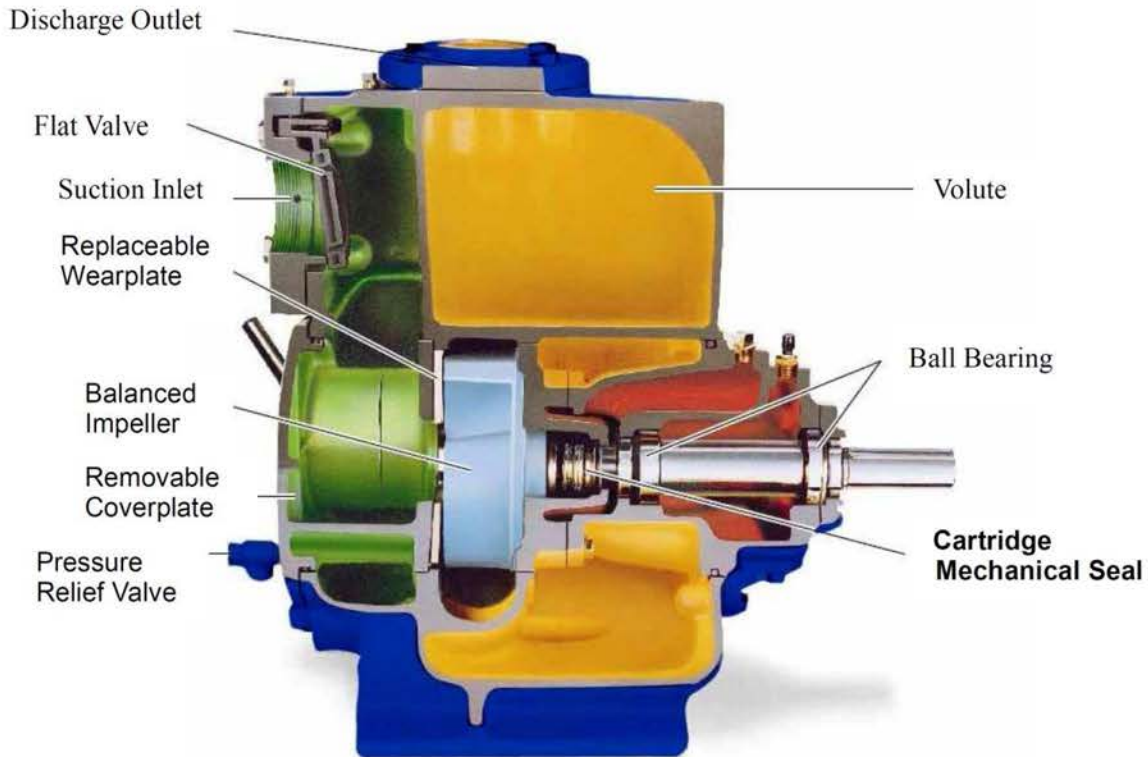
Application:

1. Industry
2. Civil Engineering
3. Marine Duty
4. Sewage
5. Water Treatment
6. Agriculture.

Feature:

- 1) Quick and easy maintenances
- 2) Fast, Simple and effective cleaning of sludge and dirt can be carry out any time
- 3) Impeller clearance is able to adjust without dismantling the pump housing with a wrench. This adjustment will able for better performance of the pumps efficiency, capacity and suction capabilities.
- 4) Durable and reliable operations

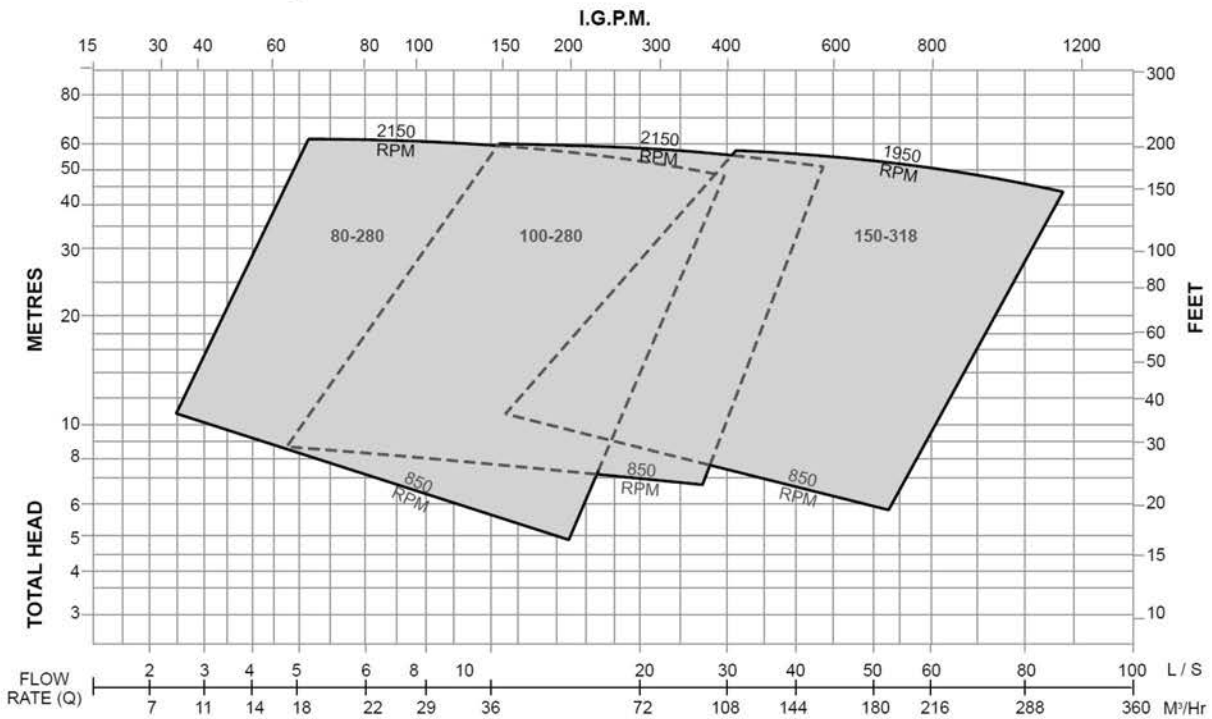
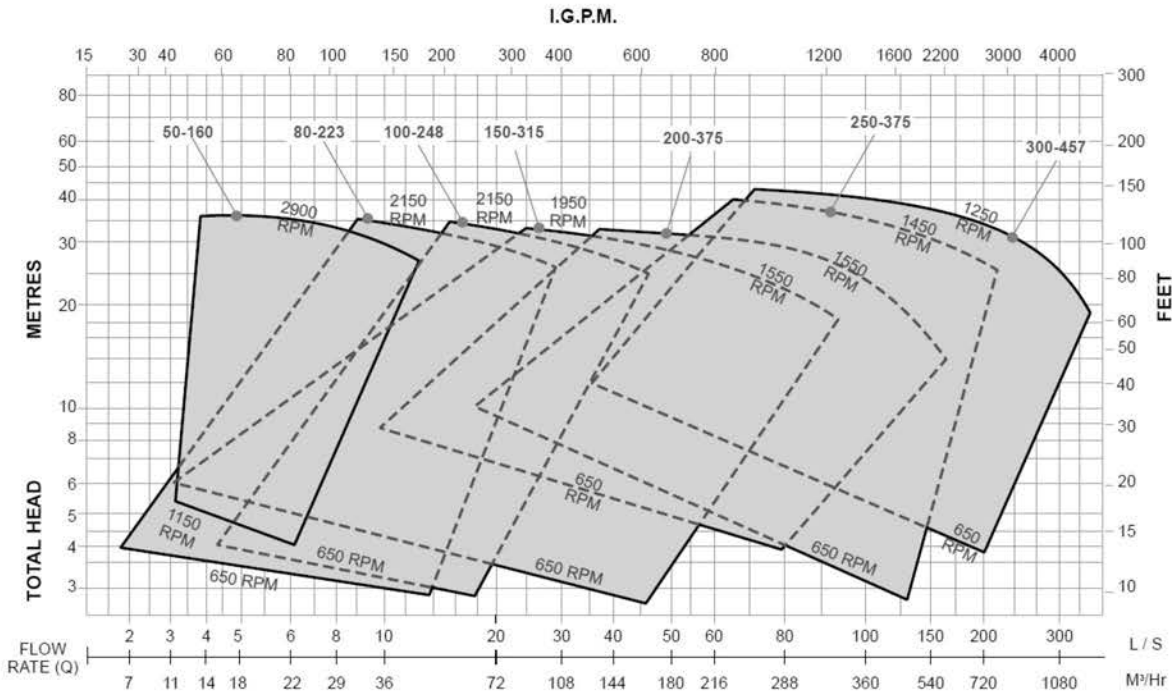
Sectional Parts



PUMP CASING	CAST IRON	FC20
IMPELLER	DUCTILE IRON	FCD40
	DUCTILE IRON	FCD45
	BRONZE	BC6
	STAINLESS STEEL	SUS304
SHAFT	STAINLESS STEEL	SUS316
		S45C
		SUS304
WEARING PLATE	CAST IRON	FC25
	DUCTILE IRON	FCD40
	BRONZE	BC6

Family Curve

General Performance curves



Please contact local agent for more details and selections. Info subjected to changes without prior notices.