



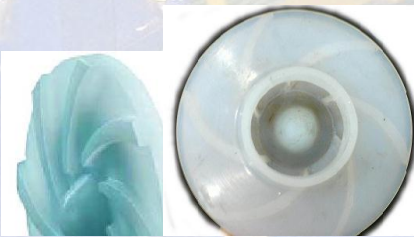
Fluor plastic PE Lined Pumps, UA-SLUR series

Applications:

- Chemical waste transfer
- Waste water with particle transfer
- Chemical slurry waste
- Corrosive liquids handling
- Con acid handling
- Small Solid handling

Features & Applications:

- Installed in corrosive, abrasive and contaminated media in the chemical, pharmaceutical, petrochemical, metal processing, waste water and disposal plants.
- Impeller & Casing are PE lined
- Impeller type available from closed to semi opened.
- Build with standard in grease lubrications. Optional in oil bath system
- Dimension to EN 22 858/ISO 2858
- Direct coupled
- Flange standard can be drilled to ANSI B16.5, JIS & BS.
- Flow rate up to 600 m³/hr
- Pressure up to 80m
- Operating temperature range from -10C to + 98 C
- Viscosity less than 150 mm²/S
- Seal type with Chem-zip mechanical seal or packing



Semi open & closed impeller design for Upompe UA-SLUR pumps

Special Features

Upompe UA-SLUR pump is design with special low noise motor, hydraulically balanced PE lined impeller, best for low noise environments. All wetted parts are PE lining included of internal casing, impeller and shaft.

Pump all design with back pull out and easy for maintenance and services.

Casing

Pump casing are PE lined and supports by heavy duty cast iron volute casing. It robust design integrally cast feet vertically top center line of motor for stable operations.

Impeller

Closed or semi opened hydraulically balanced double shrouded type with PE lined and is positively driven by shaft key and impeller nut. Semi Open impeller is excellent for slurry and small particle handling.

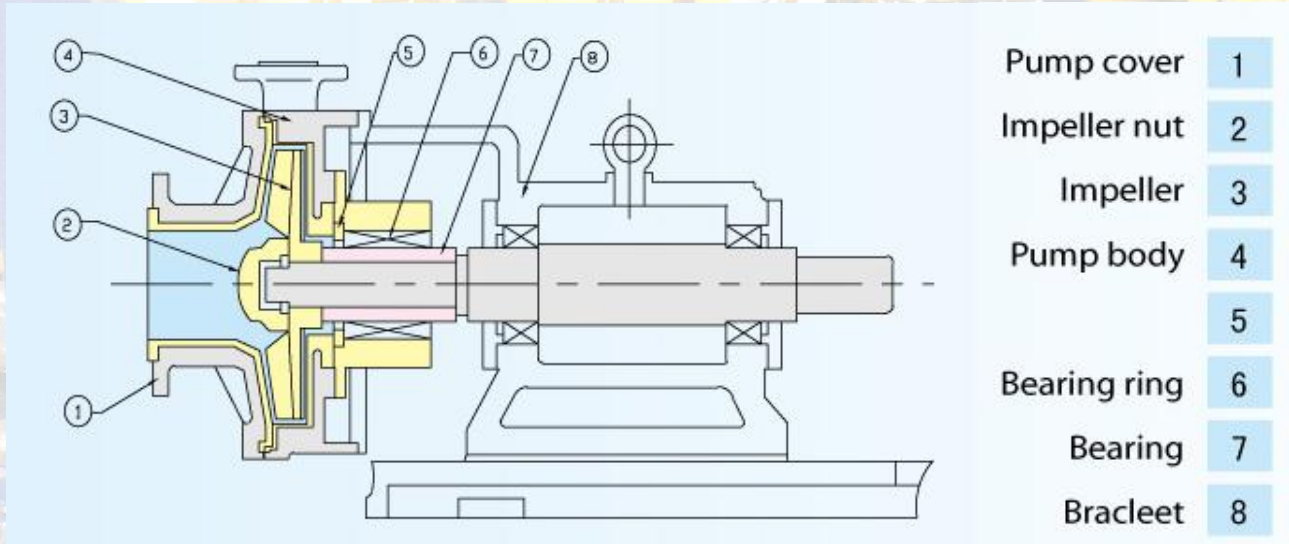
Stuffing Box

Standard stuffing box fitted with Teflon bellow mechanical seal or Gland Packing.

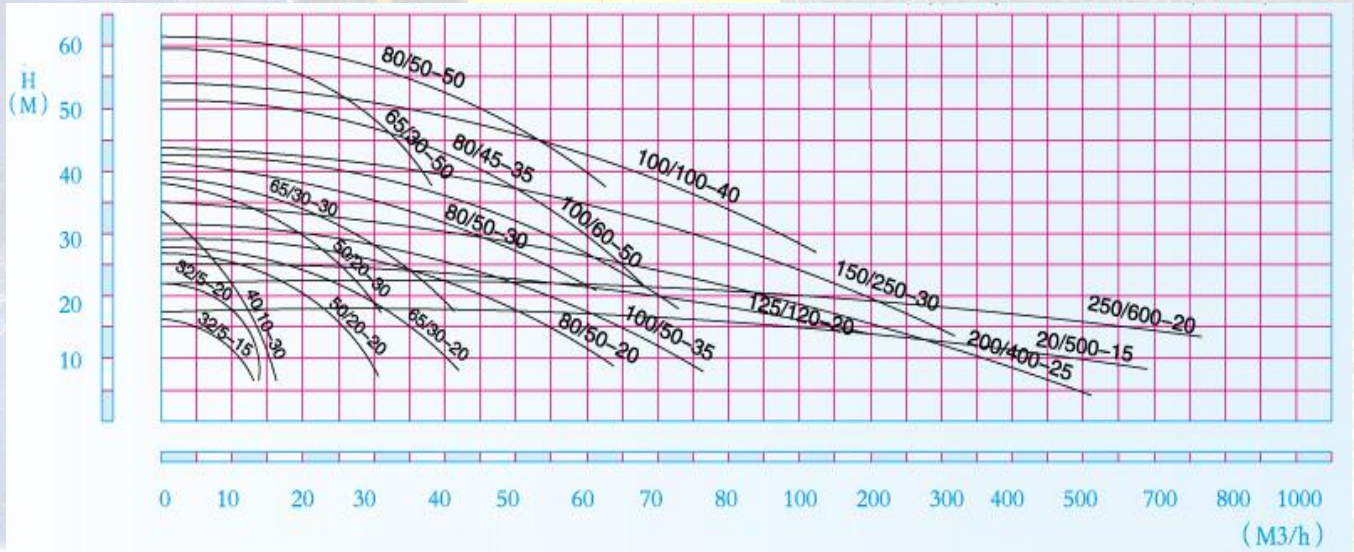
Bearing Housing

Bearing are grease lubricated and fitted with grease nipples which allows periodic greasing. Permanently, sealed grease bearings are available. For model built with bearing housing, the material is rugged cast iron construction. Oil Lubrication is optional.

PART LAYOUT:

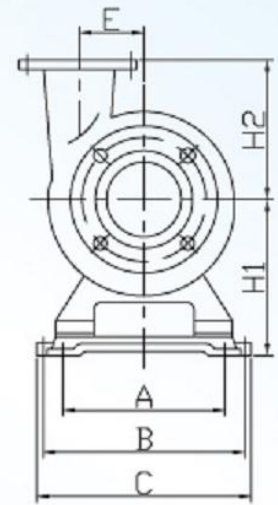
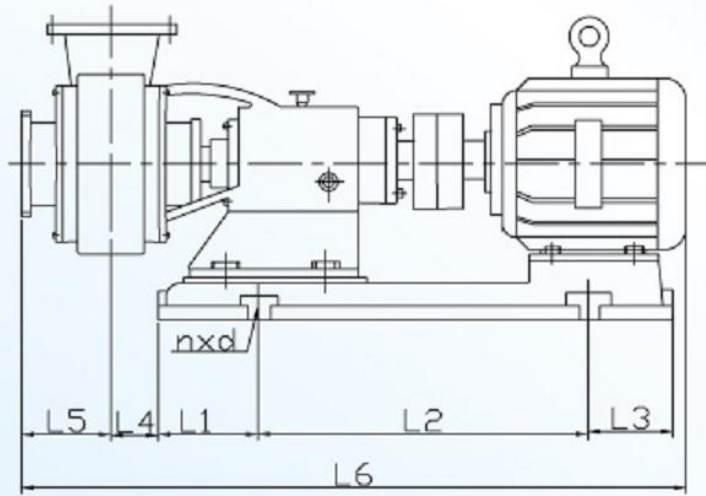


UA-SLUR GENERAL PERFORMANCE CURVE:



The size of flange

DN	25	32	40	50	65	80	100	125	150	200	250
D	115	140	150	165	185	200	220	250	285	340	395
K	85	100	110	125	145	160	180	210	240	295	350
n-t	4-14	4-18	4-18	4-18	4-18	8-18	8-18	8-18	8-22	8-22	12-22



Model	A	B	C	E	H1	H2	L1	L2	L3	L4	L5	L6	n-d
32/5-15	260	260	310	62	170	125	100	335	100	210	85	815	4-18
32/5-20	260	260	310	78	170	150	100	335	100	210	105	815	4-18
40/10-30	260	310	335	93	162	165	80	455	80	116	135	960	4-18
50/20-20	320	320	370	95	212	176	172	400	172	97	116	1060	4-20
50/20-30	320	320	370	95	212	176	172	400	172	97	116	1060	4-20
65/30-20	320	320	370	125	212	220	172	400	172	105	120	1070	4-20
65/30-30	320	320	370	125	212	220	172	400	172	105	120	1070	4-20
80/45-35	320	400	430	125	278	220	160	530	200	105	130	1150	4-25
80/50-20	320	400	430	125	278	220	160	530	200	105	130	1150	4-25
80/50-50	320	400	430	125	278	220	160	530	200	105	130	1405	4-25
100/60-35	385	480	508	130	318	225	188	705	263	114	130	1405	4-25
100/60-50	385	480	508	130	318	225	188	705	263	114	130	1430	4-25
100/100-40	385	480	508	130	318	225	188	705	263	114	130	1530	4-25
125/120-20	415	460	540	130	285	235	188	705	190	320	195	1610	4-30
150/250-30	500	600	700	-225	370	470	245	935	260	100	365	1990	4-30
200/400-25	510	600	750	-235	395	470	245	1000	340	106	370	2166	4-30
200/500-12	525	675	780	-235	405	475	250	1010	250	468	230	1980	4-25
250/600-20	700	700	820	-270	430	490	250	1010	250	500	250	2080	4-30

For more details for other ranges and model, please contact us. Above dimensions are for middle range of power.

Please contact our local agent for more info and selections or visit us www.upompe.com