



Upompe UMB-C ranges

Clean Liquids

Back Pull Out

Centrifugal Booster Pumps

Features:

The Upompe UMB-C range of pumps complied fully to the international standard. This standard covers both performance and dimensions. These pumps are design for clean liquids transfer, pressurization system, civilian clean, water treatment, circulations, irrigations and agricultural, etc.

- Design:** Horizontal, single stages back pull out, press stainless steel for clean liquids and mild acid handling
- Flow:** 2 to 30 m3/hr
- Head:** up to 32m
- Speed:** 2900 rpm-50Hz and 3450 rpm-60Hz
- Voltage:** 1phase x 220 ~ 240V, 3phases x 380 ~ 415V
- Temperature:** -15 C to +70 C, Hot water 45 C to 105 C
- Casing pressure:** 10 bar as standard
- Motor protections:** IP 55
- Motor enclosure:** TEFC
- Motor Insulation:** Class F

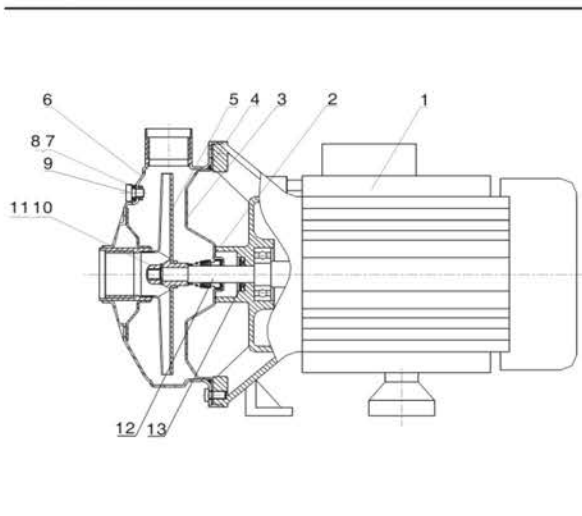
Model Description:

UMB-C	70	/	150A	/	T (M)
Series	L/min	/	Power, KW	/	3 phases (1 phase)

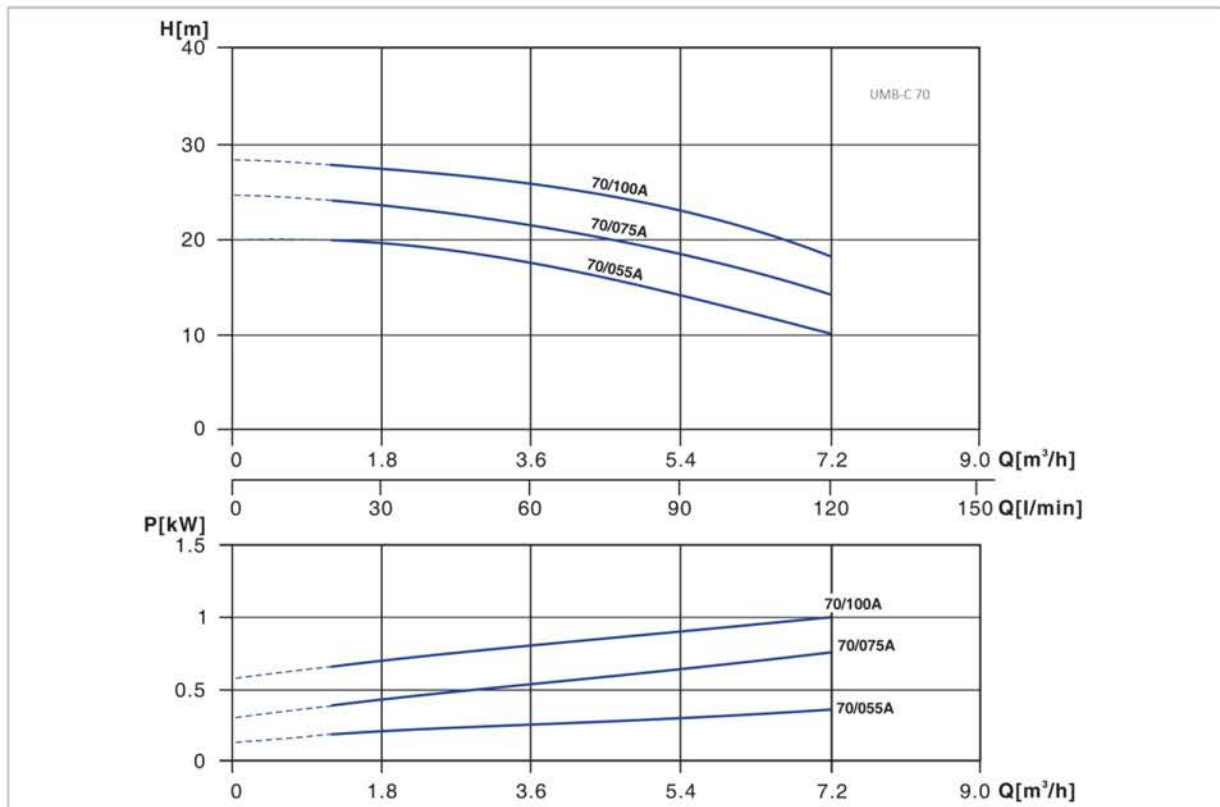
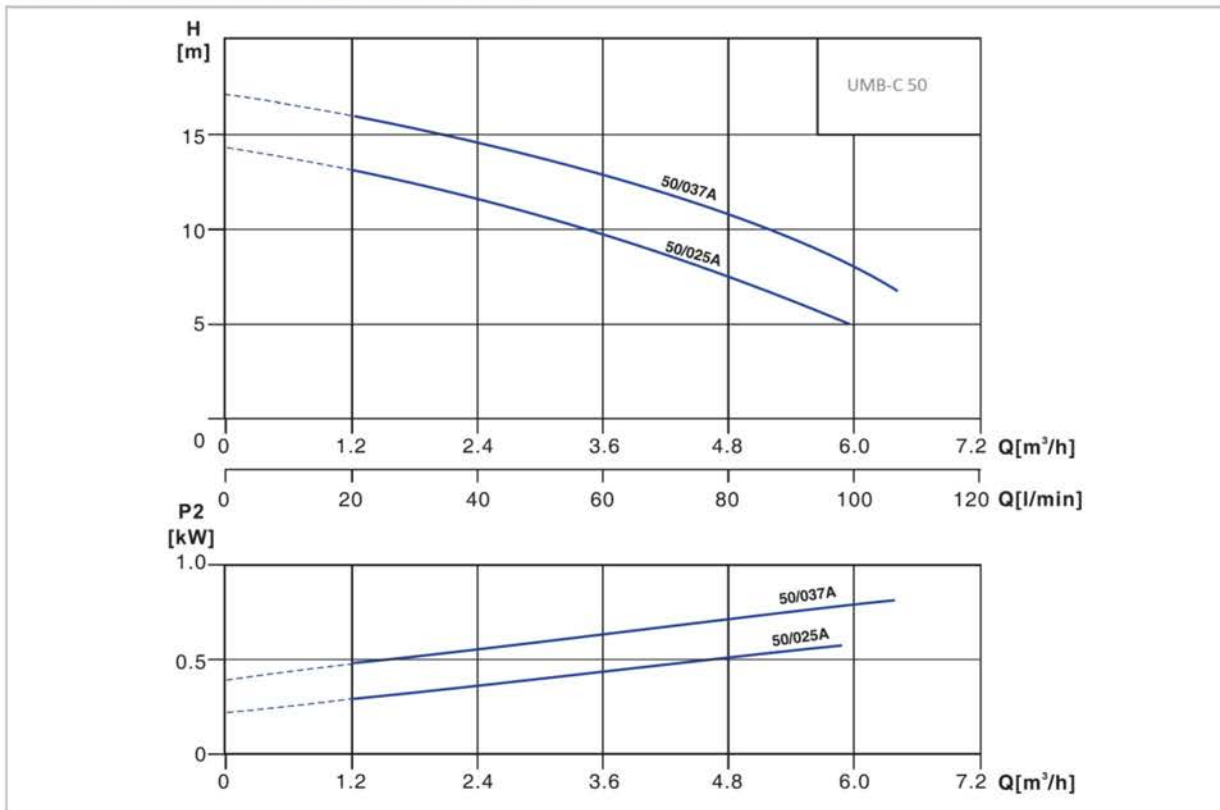
Standard Materials:

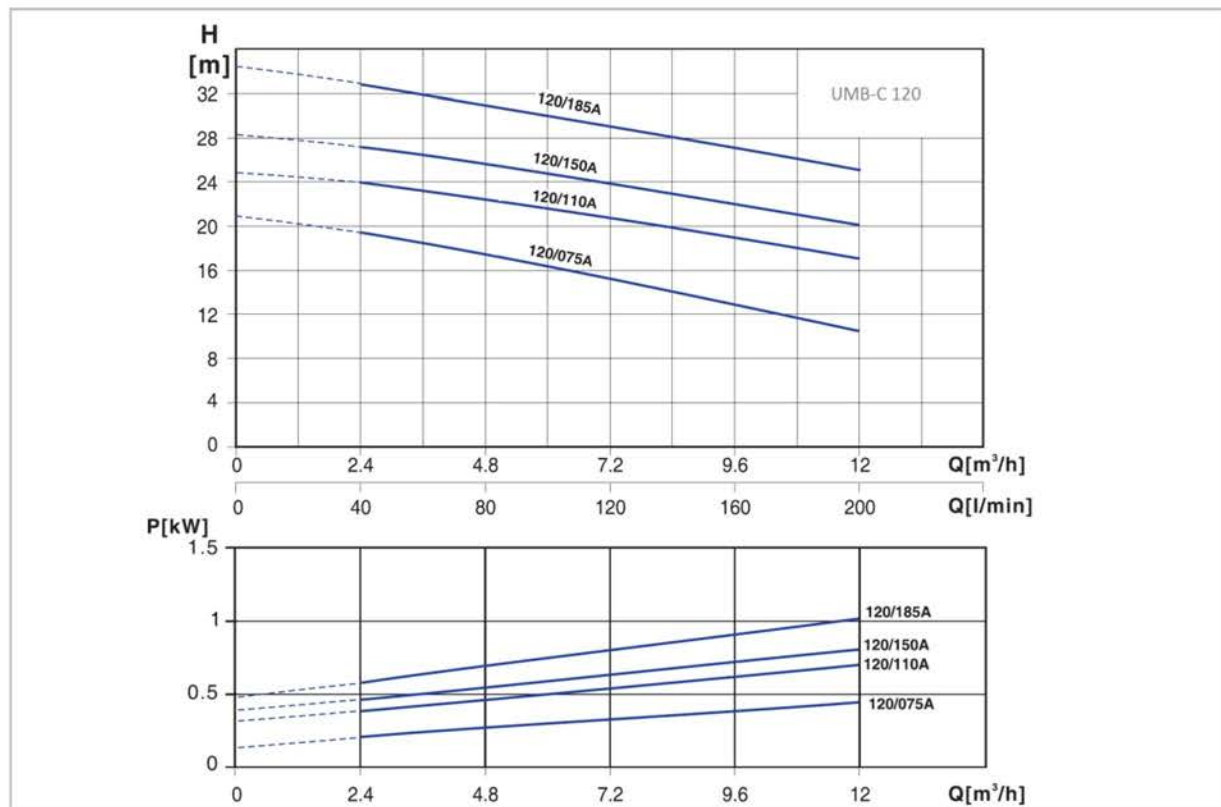
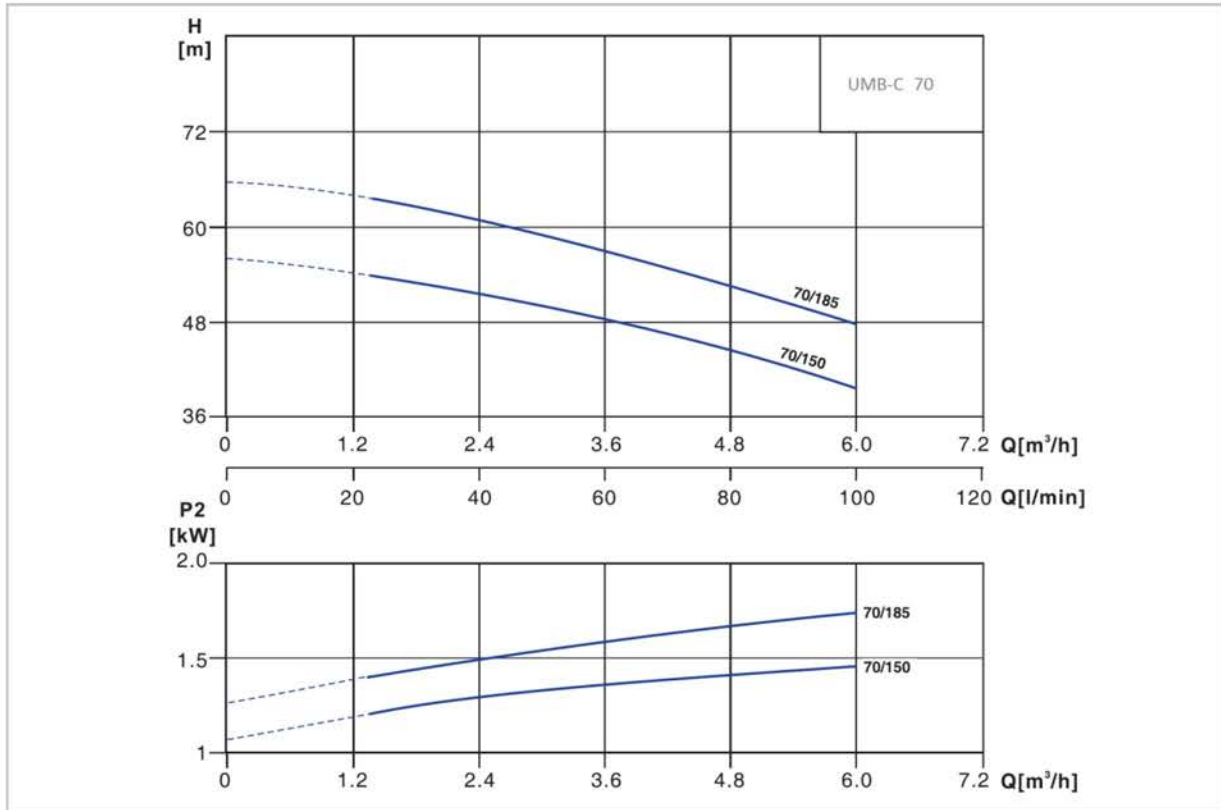
- Body, impeller and cover: Press stainless steel, SUS 304
- Shaft: Stainless steel, 2Cr-13
- Mechanical seal: Graphite, ceramic, NBR
- Motor and bracket: Aluminium
- Mechanical seal brand: ChemZip

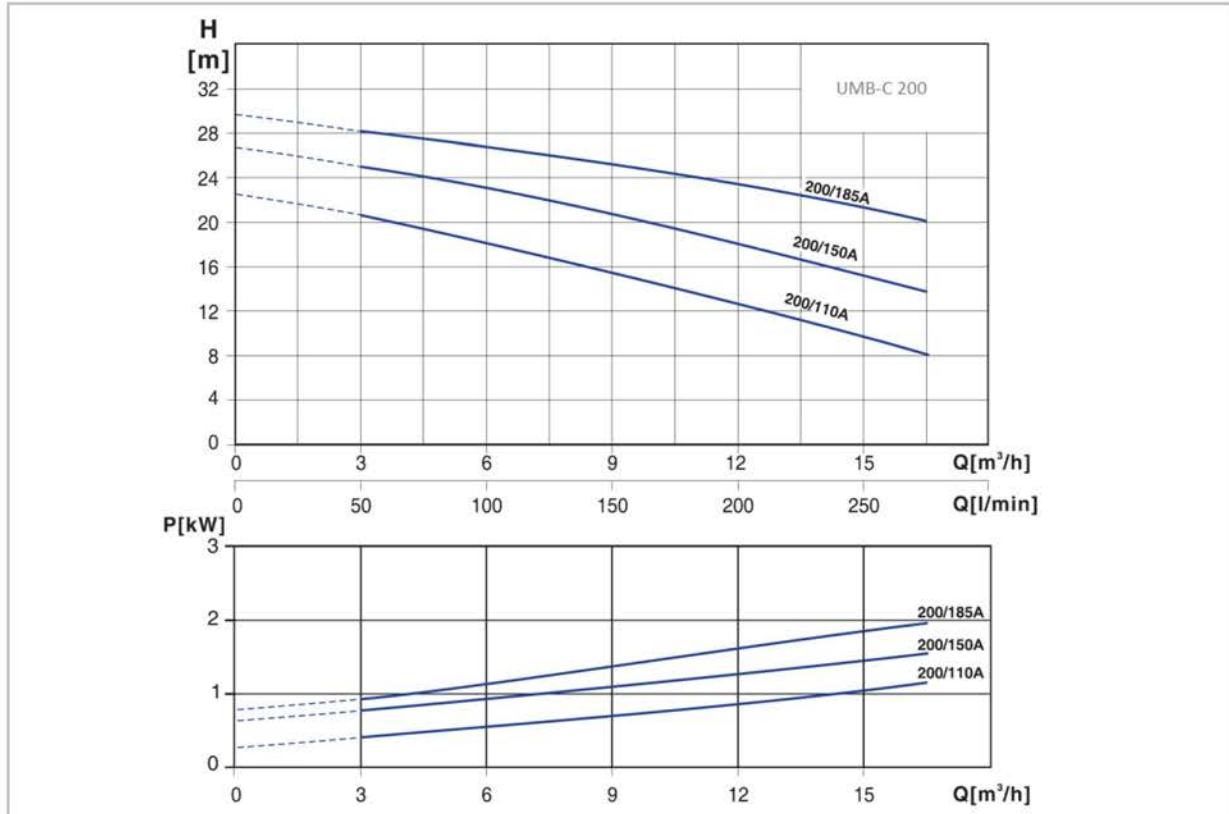
Part layout, UMB-C:



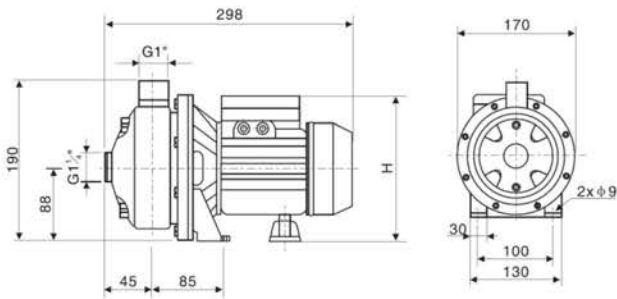
ITEM	NAME	MATERIAL
1	Motor	
2	Mechanical seal	Cermic/Graphite/NBR
3	Back cover	Stainless steel AISI304
4	" O" ring	NBR
5	Impeller	Stainless steel AISI304
6	Pump body	Stainless steel AISI304
7	" O" ring	NBR
8	Washer	Stainless steel AISI304
9	Priming / Drain plug	Stainless steel AISI304
10	Impeller nut	Stainless steel AISI304
11	Spring washer	Stainless steel AISI304
12	Shaft	Stainless steel AISI304
13	Slinger	NBR

PERFORMANCE SCOPE (n=2900r/min)


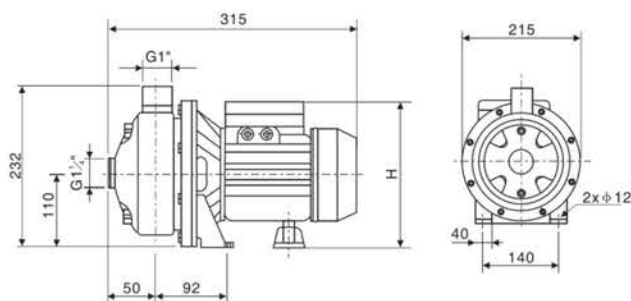




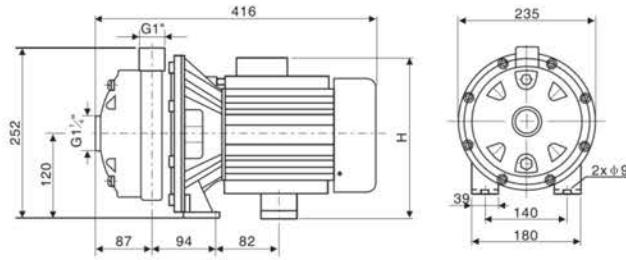
Dimensional, mm



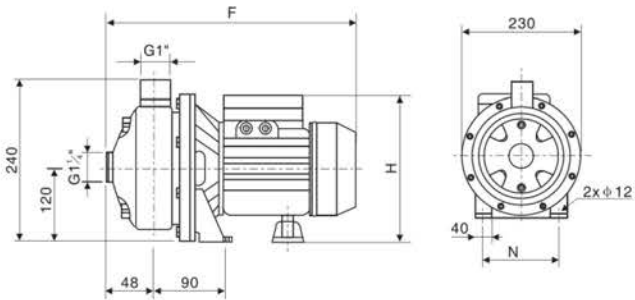
MODEL	SIZE(mm)		WEIGHT (kg)
	H (Single-phase)	H (Three-phase)	
50/025A(T)	210	180	5
50/037A(T)	210	180	6



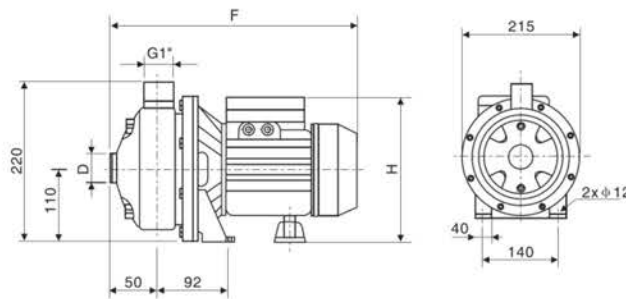
MODEL	SIZE(mm)		WEIGHT (kg)
	H (Single-phase)	H (Three-phase)	
70/055A(T)	240	215	9
70/055A(T)	240	215	10
70/100A(T)	240	215	12



MODEL	SIZE(mm)		WEIGHT (kg)
	H (Single-phase)	H (Three-phase)	
70/150(T)	234	234	17.8
70/185(T)	234	234	19.6



MODEL	SIZE(mm)				WEIGHT (kg)
	F	H (Single phase)	H (Three phase)	N	
120/075A(T)	315	238	210	140	10
120/110A(T)	338	250	225	140	15
120/150A(T)	385	255	230	150	17
120/185A(T)	385	255	230	150	18



MODEL	SIZE(mm)				WEIGHT (kg)
	D	F	H (Single phase)	H (Three phase)	
200/110A(T)	1 1/4"	340	250	225	16
200/150A(T)	1 1/2"	370	255	230	19
200/185A(T)	1 1/2"	370	255	230	21