



Upompe UMB-M ranges

Clean Liquids

Back Pull Out

Centrifugal Booster Pumps

Features:

The Upompe UMB-M range of pumps complied fully to the international standard. This standard covers both performance and dimensions. These pumps are design for clean liquids transfer, pressurization system, civilian clean, water treatment, circulations, irrigations and agricultural, etc

| | |
|---------------------------|---|
| Design: | Horizontal, single stages back pull out, press stainless steel for clean liquids and mild acid handling |
| Flow: | 2 to 30 m ³ /hr |
| Head: | up to 32m |
| Speed: | 2900 rpm-50Hz and 3450 rpm-60Hz |
| Temperature: | -15 C to +70 C |
| Casing pressure: | 6 bar as standard |
| Motor protections: | IP 55 |
| Motor enclosure: | TEFC |
| Motor Insulation: | Class F |

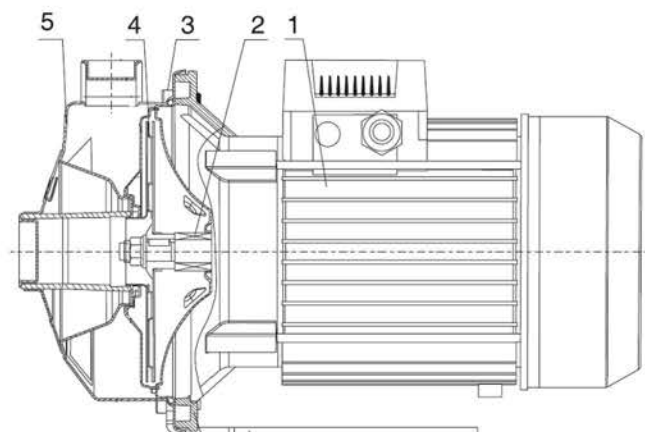
Model Description:

| | | | | | | | | |
|--------|---|-------|---|-----------|---|------------------------------|----|---|
| UMB-M | / | 70 | / | 075 | / | T | or | M |
| Series | / | L/min | / | Power, KW | / | Three phases or Single phase | | |

Standard Materials:

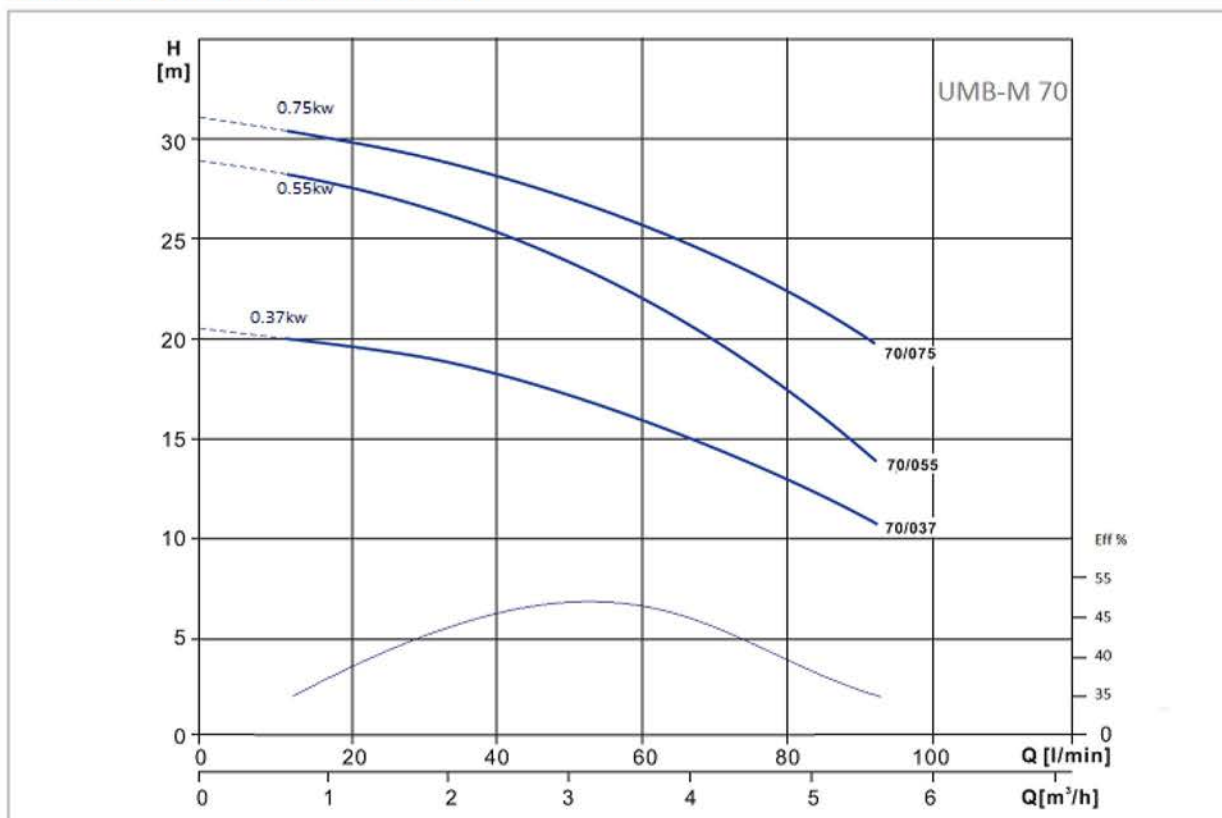
| | |
|---------------------------|--------------------------------|
| Body, impeller and cover: | Press stainless steel, SUS 304 |
| Shaft: | Stainless steel, 2Cr-13 |
| Mechanical seal: | Graphite, ceramic, NBR |
| Mechanical seal brand: | ChemZip |

Part layout, UMB:

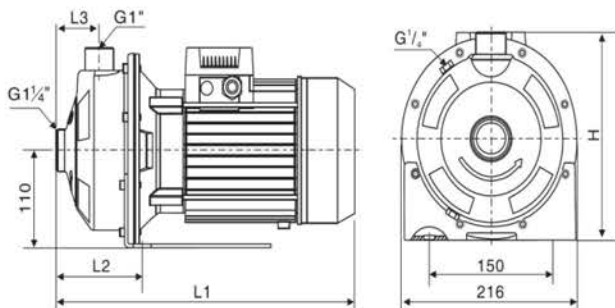


- 1. Motor
- 2. Mechanical seal
- 3. Seal base, SUS 304
- 4. Impeller, SUS 304
- 5. Pump Body, SUS 304

Technical & Performance Curve

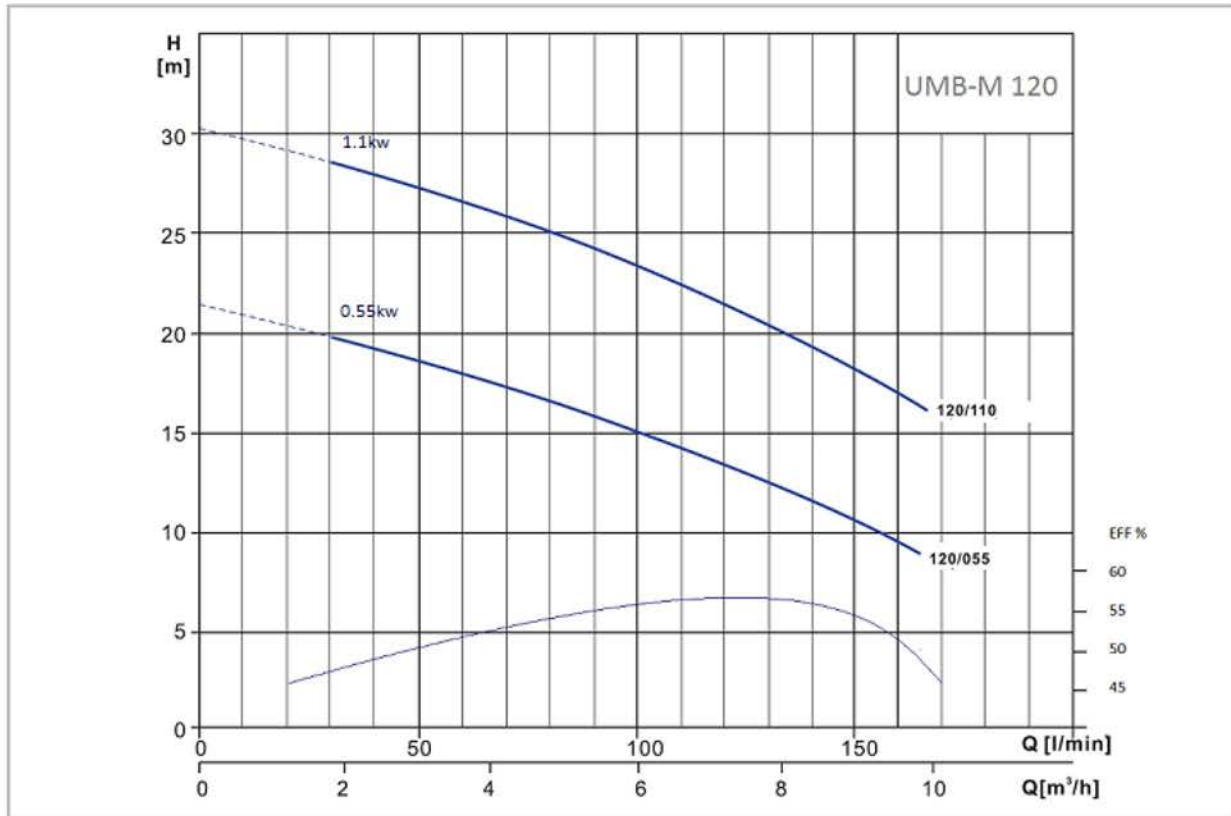


| MODEL | | POWER P_1 (kW) | Q (m ³ /h) | H (m) | | | | | |
|--------------|-------------|---------------------|--------------------------|-------|-----|-----|-----|-----|------|
| SINGLE PHASE | THREE PHASE | | | 0 | 1.2 | 2.4 | 3.6 | 4.8 | 5.5 |
| 70/037 | 70/037T | 0.37 | H (m) | 21 | 19 | 18 | 16 | 12 | 10.5 |
| 70/055 | 70/055T | 0.55 | | 29 | 27 | 26 | 24 | 19 | 15 |
| 70/075 | 70/075T | 0.75 | | 31 | 29 | 28 | 26 | 23 | 20 |

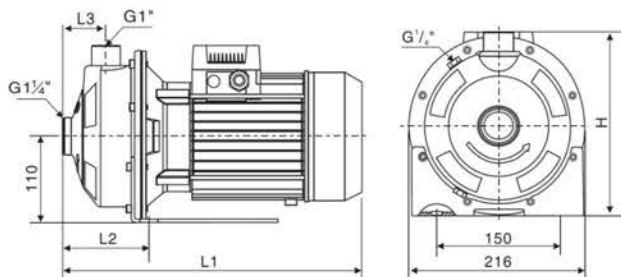


| MODEL | SIZE(mm) | | | | WEIGHT (kg) |
|-----------|----------|-----|----|-----|----------------|
| | L1 | L2 | L3 | H | |
| 70/037(T) | 340 | 109 | 55 | 225 | 10 |
| 70/055(T) | 340 | 109 | 55 | 225 | 11 |
| 70/075(T) | 377 | 109 | 55 | 225 | 14 |

Technical & Performance Curve

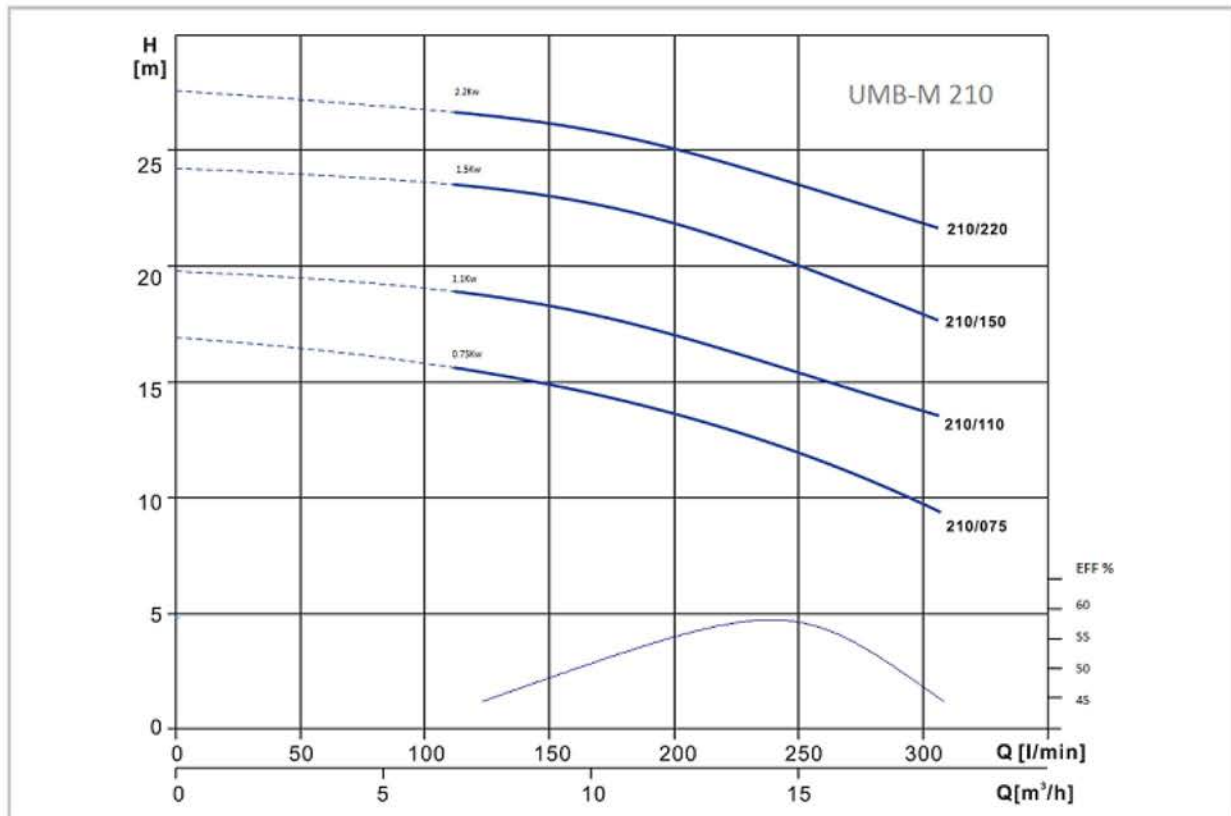


| MODEL | | POWER P _s (kW) | Q (m³/h) | 3.6 | 4.8 | 6 | 7.2 | 8.4 | 9.6 |
|----------------|-----------------|------------------------------|-------------|-------|-----|----|-----|-----|-----|
| SINGLE PHASE | THREE PHASE | | | H (m) | | | | | |
| 120/055 | 120/055T | 0.55 | H (m) | 18 | 17 | 15 | 14 | 11 | 9 |
| 120/110 | 120/110T | 1.1 | | 27 | 26 | 24 | 21 | 19 | 17 |

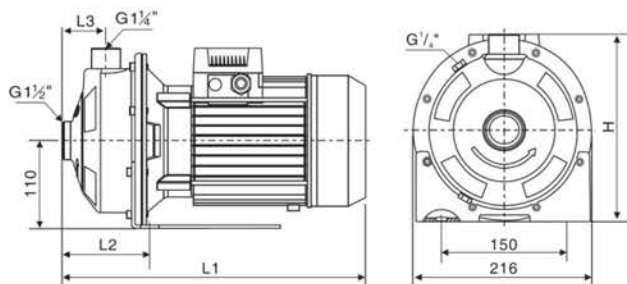


| MODEL | SIZE(mm) | | | | WEIGHT (kg) |
|-------------------|----------|-----|----|-----|-------------|
| | L1 | L2 | L3 | H | |
| 120/055(T) | 340 | 109 | 55 | 225 | 11 |
| 120/110(T) | 377 | 109 | 55 | 225 | 15 |

Technical & Performance Curve

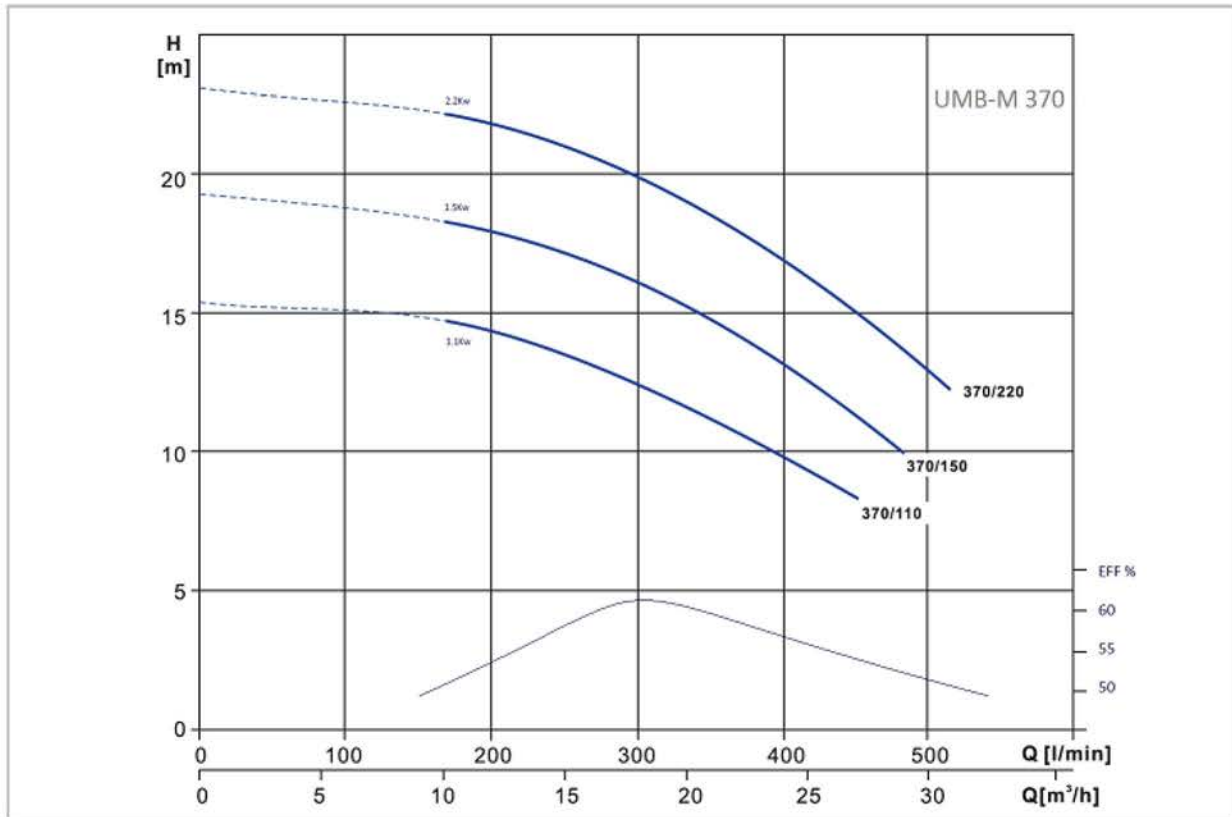


| MODEL | | POWER P_2 (kW) | Q (m³/h) | 7.2 | 8.4 | 9.6 | 10.8 | 12 | 15 | 18 |
|--------------|-------------|---------------------|-------------|-------|------|------|------|------|------|------|
| SINGLE PHASE | THREE PHASE | | | H (m) | | | | | | |
| 210/075 | 210/075T | 0.75 | H (m) | 15.6 | 15.2 | 14.8 | 14.2 | 13.6 | 11.9 | 9.8 |
| 210/110 | 210/110T | 1.1 | | 18.7 | 18.3 | 18 | 17.5 | 17.1 | 15.6 | 13.6 |
| 210/150 | 210/150T | 1.5 | | 23.5 | 23.2 | 22.8 | 22.4 | 21.8 | 20.2 | 18.0 |
| 210/220 | 210/220T | 2.2 | | 26.7 | 26.5 | 26.1 | 25.7 | 25.2 | 23.8 | 21.9 |

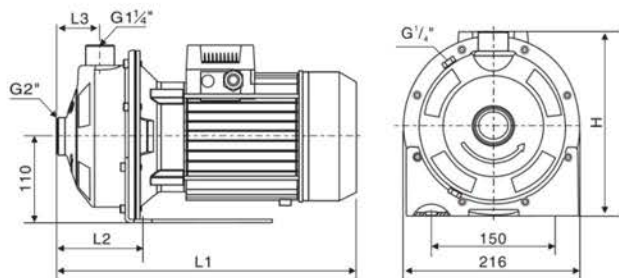


| MODEL | SIZE (mm) | | | | WEIGHT (kg) |
|-------------|-----------|-----|----|-----|-------------|
| | L1 | L2 | L3 | H | |
| 210/075(T) | 388 | 119 | 55 | 225 | 14 |
| 210/110T(T) | 388 | 119 | 55 | 225 | 15 |
| 210/150T(T) | 430 | 119 | 55 | 225 | 18 |
| 210/220T(T) | 430 | 119 | 55 | 225 | 20 |

Technical & Performance Curve



| MODEL | | POWER P_2 (kW) | Q (m ³ /h) | H (m) | | | | | | | | |
|--------------|-------------|---------------------|--------------------------|-------|------|------|------|------|------|------|------|------|
| SINGLE PHASE | THREE PHASE | | | 10 | 12 | 15 | 18 | 21 | 24 | 26 | 29 | 31 |
| 370/110 | 370/110T | 1.1 | H (m) | 14.7 | 14.4 | 13.5 | 12.3 | 10.8 | 8.9 | 8 | - | - |
| 370/150 | 370/150T | 1.5 | | - | 18.1 | 17.3 | 16.3 | 15.0 | 13.3 | 12.3 | 10 | - |
| 370/220 | 370/220T | 2.2 | | - | 21.7 | 20.9 | 20.0 | 18.8 | 17.2 | 16.2 | 14.2 | 12.3 |



| MODEL | SIZE(mm) | | | | WEIGHT (kg) |
|------------|----------|-----|----|-----|----------------|
| | L1 | L2 | L3 | H | |
| 370/110(T) | 388 | 119 | 55 | 227 | 15 |
| 370/150(T) | 430 | 119 | 55 | 227 | 18 |
| 370/220(T) | 430 | 119 | 55 | 227 | 20 |

Please contact local agent or email sales@upompe.com